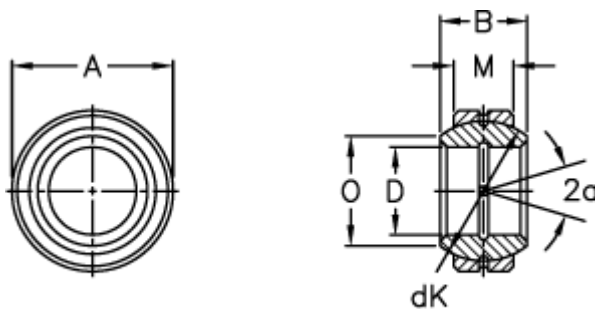


Article number: 03506160

Description: Fluro Rod end GE 160FO-2RS

Measures



Str. 6-12 uden smørerille

A = 260 0 -0,035

B = 135

D = 160 0 -0,025

dK = 225

Dynamic load C (kN) = 1530

M = 80

O = 180

Static load C0 (kN) = 7650

Tilt angle = 16

Weight = 24700